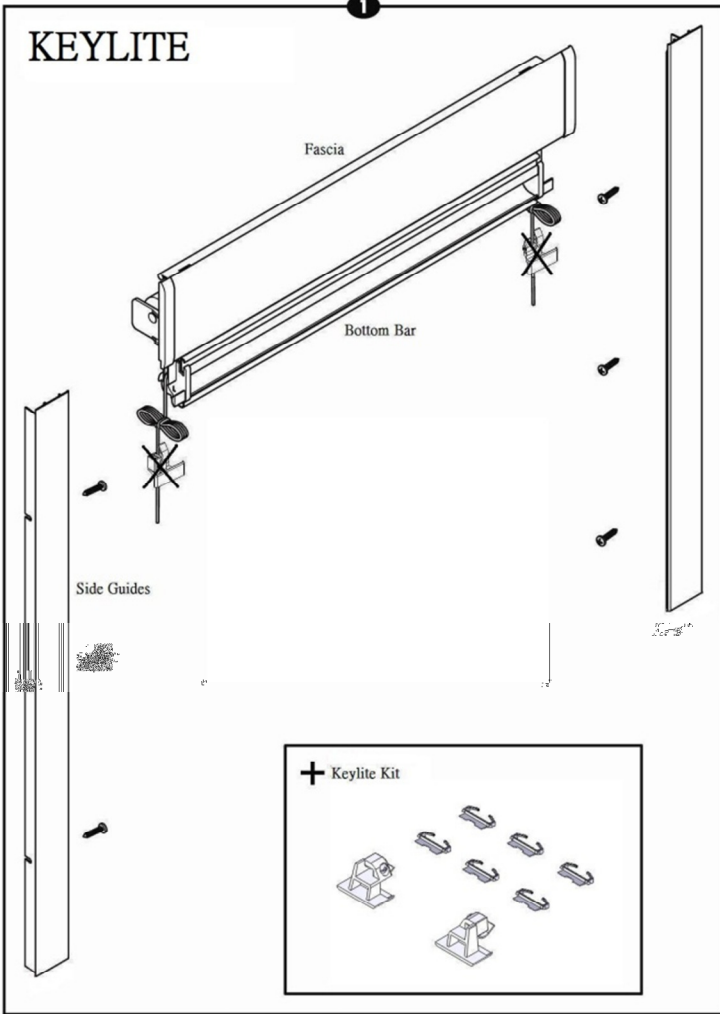
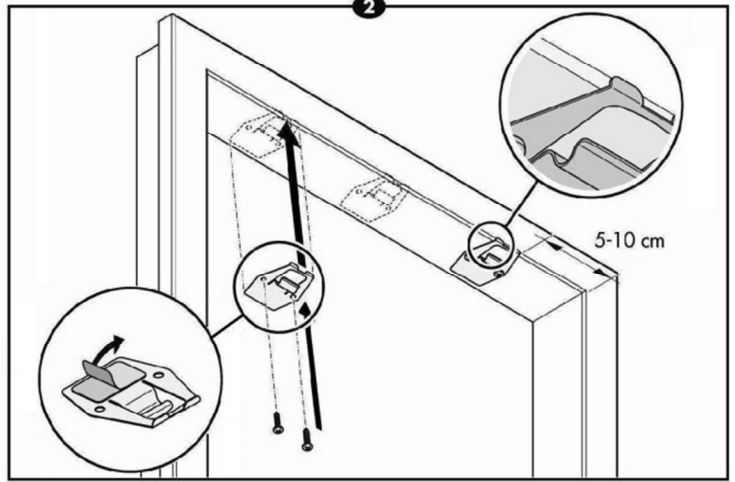


KEYLITE

1

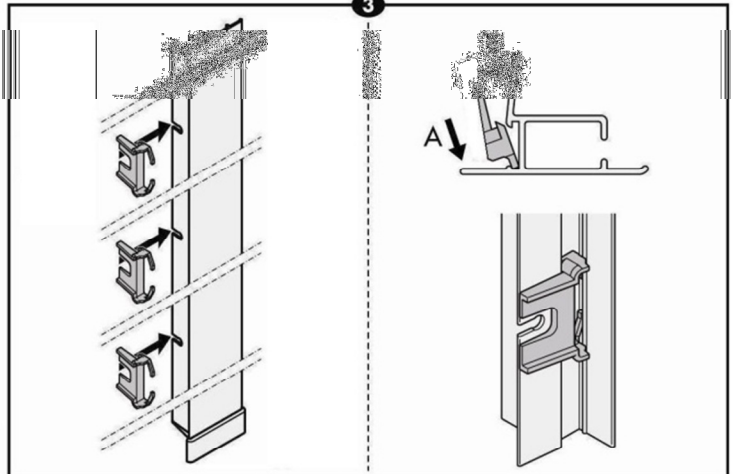


2



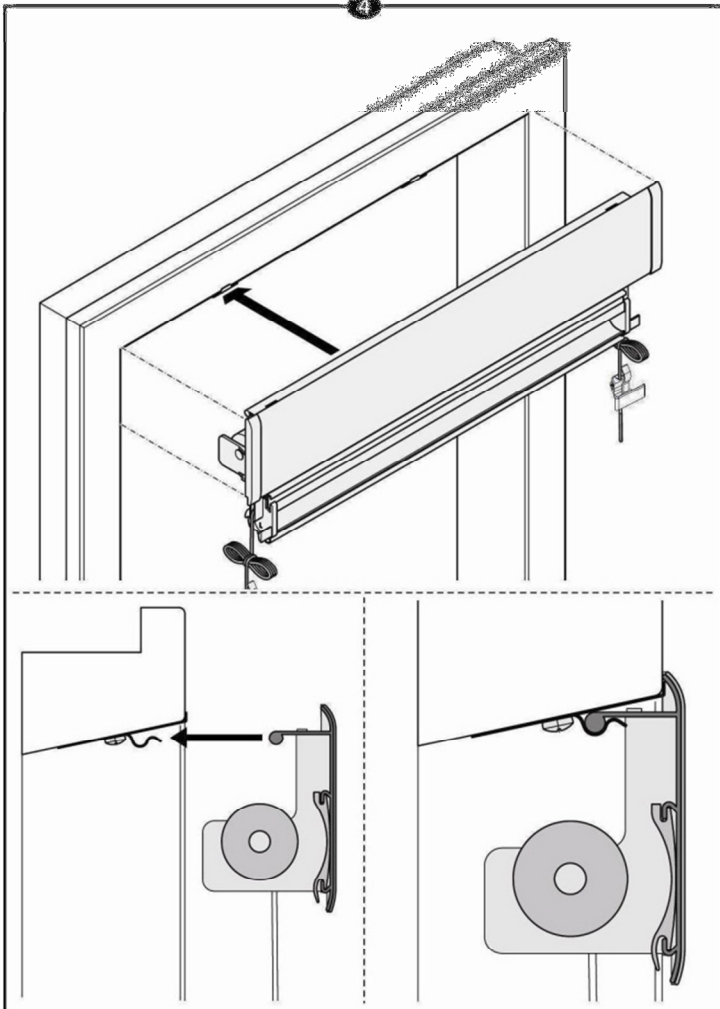
- Peel adhesive backing on fascia bracket.
 - Place fascia bracket into position as per diagram using the sash window edge to align the bracket.
 - Secure into position with screws supplied.
 - Repeat process for all fascia brackets.
- Note: the quantity of fascia brackets will vary, dependant on window size.

3



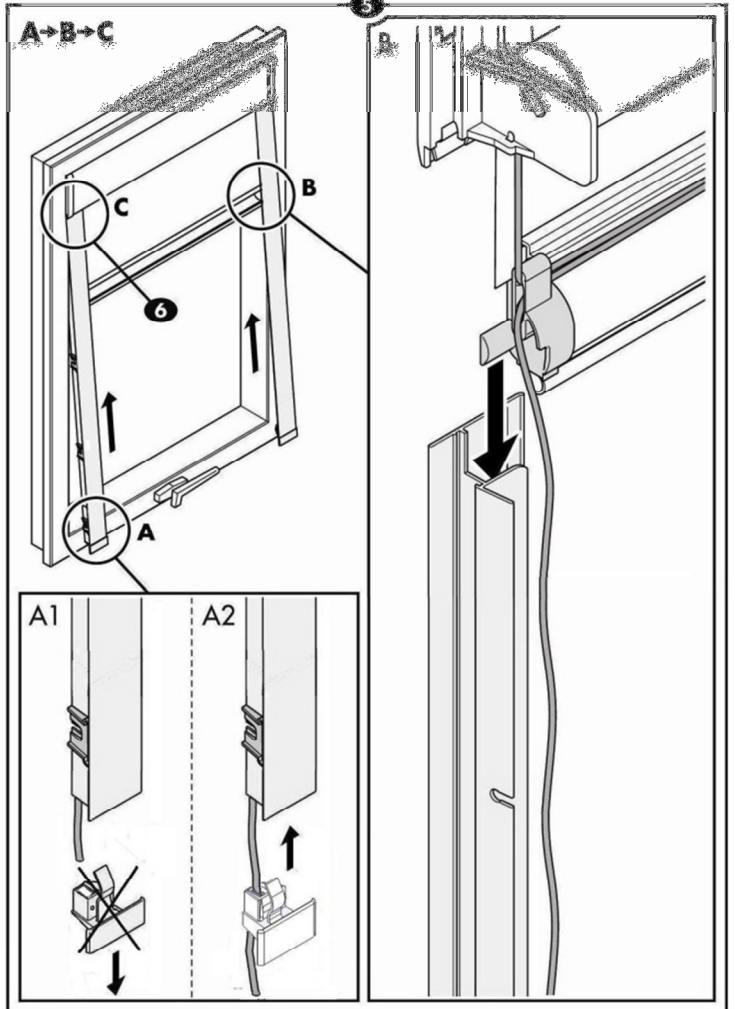
- Attach Side Guide Adjustment Clips - Diagram 3.

4

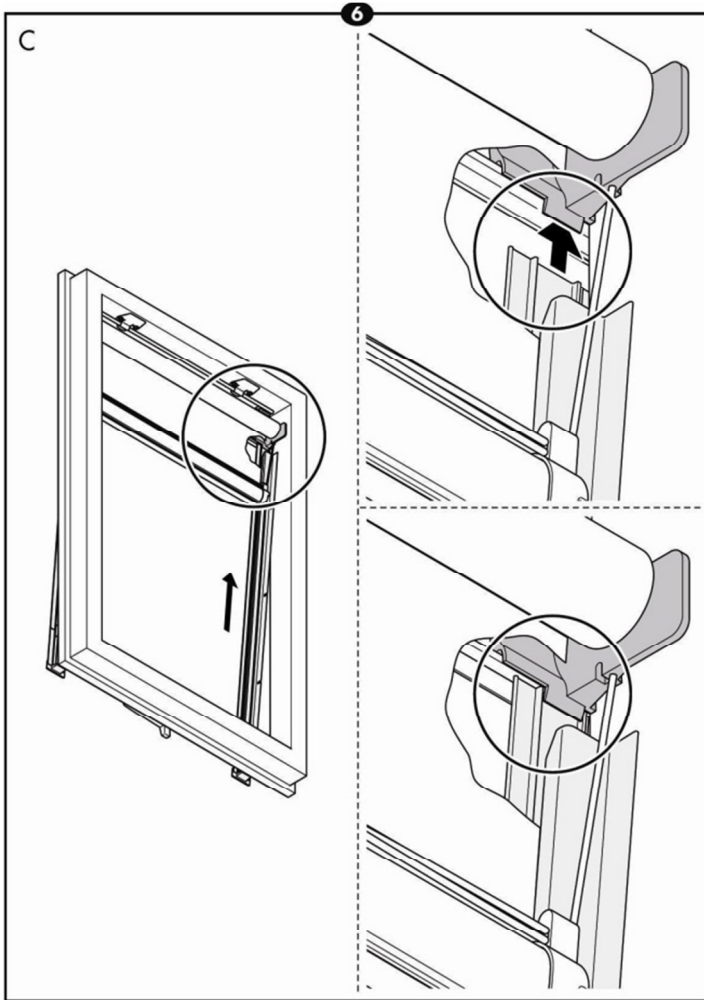


- Align fascia with brackets and push until the fascia clicks into position.

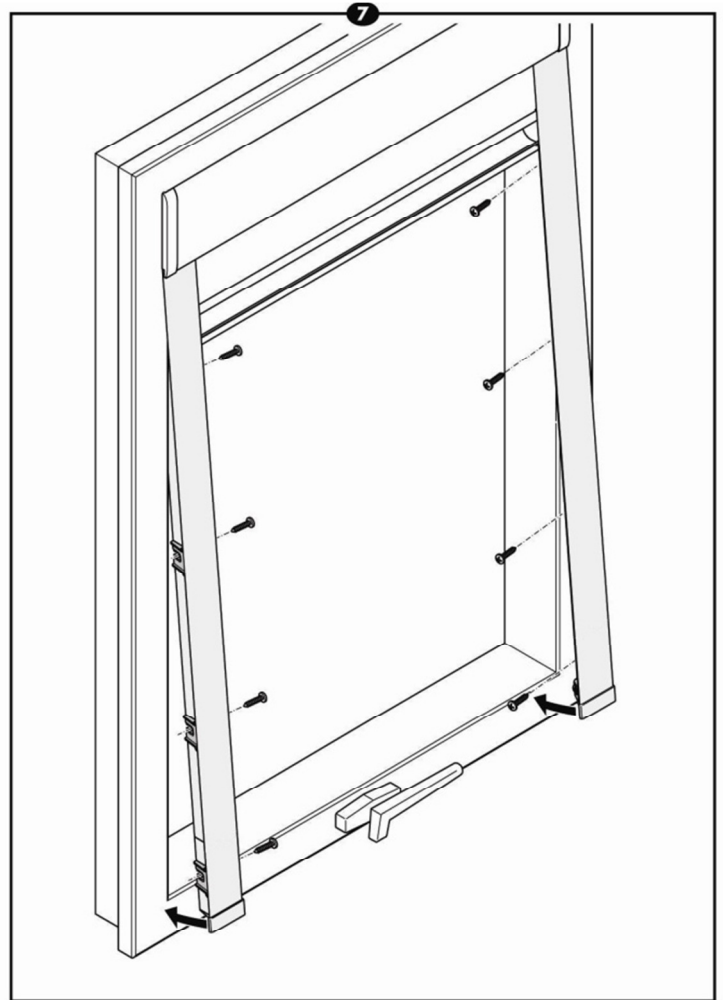
5



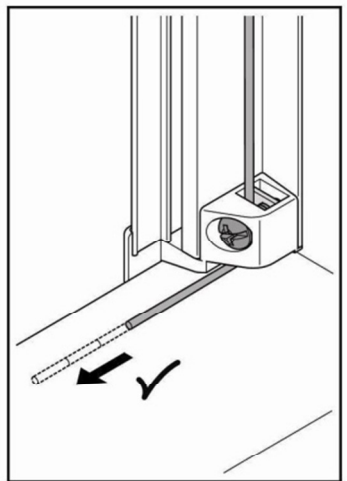
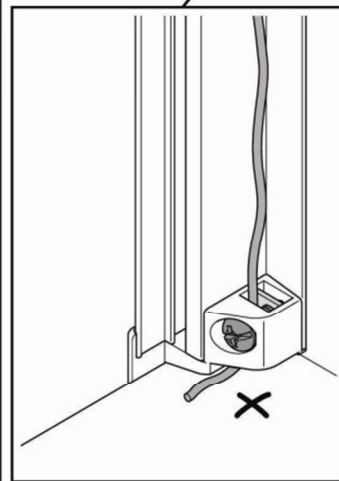
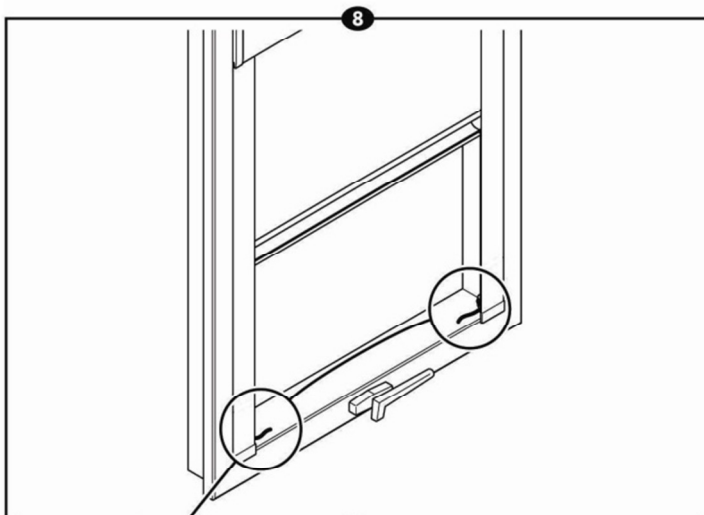
- Remove standard end cap from cord and replace by fitting the end cap from the Keylite kit onto the side guide. - Diagram 5-A1 & A2*
- Slide bottom bar into the side guide channel - Diagram 5-B.



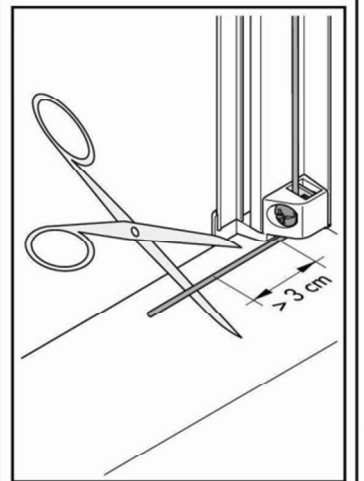
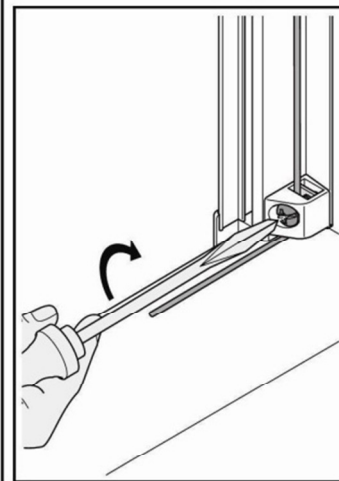
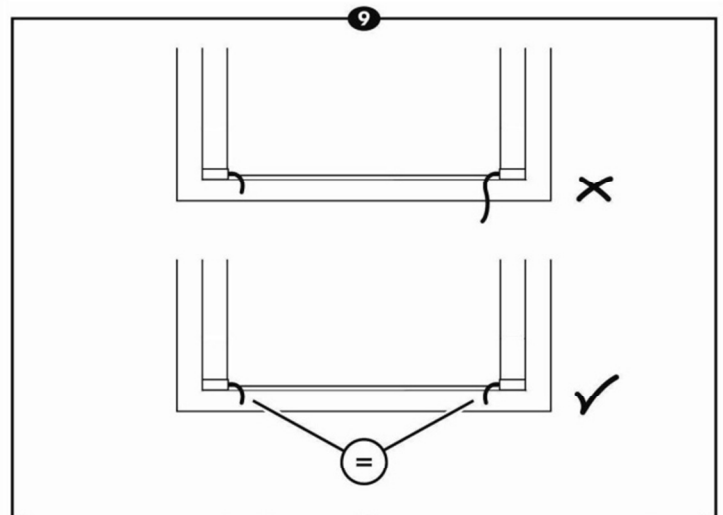
• Slide top of side guide into position behind fascia.



• Rotate bottom of side guide to fit against bottom of window.
• Secure side guide with screws supplied.
• Repeat points 5-7 for both side guides.



• Loosen cord locking screws in side guide end caps.



• Tension cords evenly, ensuring both cords are equal lengths.
• Tighten cord locking screws in the side guide end caps.
• Trim excess cord.